

# AQLBL

## Lithium Lifebuoy Light

### Operation and maintenance instructions

SECTION 1	PURPOSE	2
SECTION 2	DESCRIPTION	2
SECTION 3	DESIGN AND QUALITY CONTROL STANDARDS	2
SECTION 4	TECHNICAL SPECIFICATION	2
SECTION 5	INSTALLATION	2
SECTION 6	OPERATION	3
SECTION 7	MAINTENANCE	3
SECTION 8	LIFE	3
SECTION 9	DISPOSAL	3
SECTION 10	SAFETY	4



## SECTION 1 – PURPOSE

These operation and maintenance instructions are designed to guide users in the correct operation and maintenance of the AQLBL Lithium Lightbouy Light.

## SECTION 2 – DESCRIPTION

### 2.1 Introduction

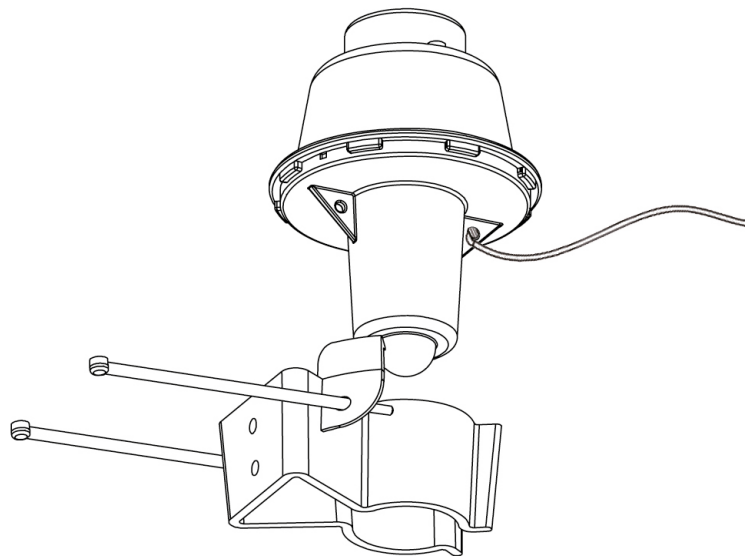
The AQLBL Lifebuoy Light is a lithium battery-powered man overboard emergency light to be installed with a lifebuoy. The light was designed with a gravity sensor and water sensor double activation system. When the lifebuoy light enters the water, the head of LED lamp will automatically float above water due to the gravity design.

The water sensor will automatically activate the light and output a flashing white light more than 2.0cd light intensity for at least 14 hours at -1 °C, which can indicate the lifebuoy position for rescue.

If sensors leave the water, the light will automatically turn-off.

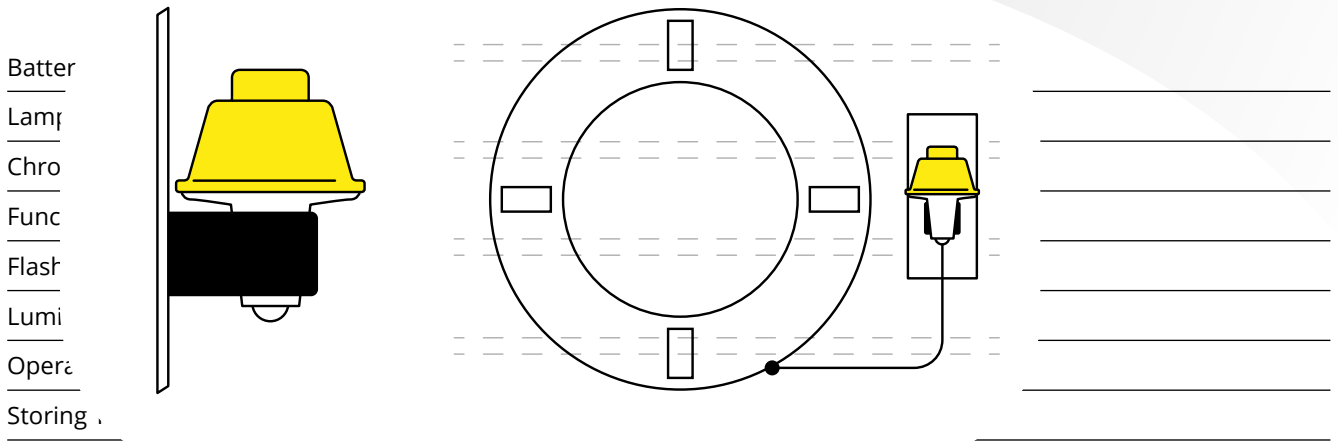
### 2.2 Product Structure

The AQLBL Lifebuoy Light consists of the main body with battery, LED lamp, water sensors and clip (with rubber caps) and rope for installation. The structure is shown as below Figure2-1:





**SECTION 4 – TECHNICAL SPECIFICATION**



- Batter
- Lamp
- Chro
- Func
- Flash
- Lumi
- Opera
- Storing

Working Temperature	-10°C - 150°C
Expiry Date	5 years
Weight	Light: 180g / Clip: 36g / One unit light: 228g (including instructions)
Dimension	Main body: Φ90 x 124mm
Activation	Automatically turn on or off by both gravity switch inside and water sensors outside.
Performance	Fire-resistant, Oil-resistant, Mould-proof, Corrosion-proof, Water-proof, Resistance UV,
Environment Performance	Meet RoHS and asbestos-free requirement.

**SECTION 5 – INSTALLATION**

4.1 Each lifebuoy light is packed with clip and rope well. When the user is ready to install light, the clip should be separated from light like picture (1).

4.2 The first step of installation is to fix the clip to the suitable position by screws. The second step is to insert light head to clip and ensure the light locked in clip. The third step is covering two caps on water sensors like picture (2).

4.3 When the light is installed well, user should bind the rope of light with lifebuoy and fasten the rope like picture (3). When lifebuoy with light is put into water, light should automatically leave clip and begin to flash as soon as it contacts with water.

4.4 User should install the light as below pictures every time in order to ensure the light in good condition.



## **SECTION 6 – OPERATION**

When life buoy is thrown into the water and at the same time AQLBL lifebuoy light is pulled out from clip, lifebuoy light will be automatically activated to flash as soon as the head of light is upright in water by the gravity and water sensors contact at water. The light is completely watertight with a compact structure. It outputs strong flashing light over 2cd which covers the whole of the upper hemisphere. If the lifebuoy light is left from water, the light could be automatically turned off. The bright point of this light is higher 50mm than the water surface so that it is easy to be found in violent wave.

## **SECTION 7 – MAINTENANCE**

AQLBL lifebuoy lights are maintenance free, but the following checks should be made annually: 6.1 Inspect light for signs of damage or corrosion.

6.2 Check the expiry date being shown on the label affixed on product. If the date is more than 5 years after date of manufacture, the lifebuoy light must be removed and replaced a new light.

6.3 Test the light by pulling out the clip carefully and standing light to contact its base with water. If lifebuoy light works well, it must flash at once. Then users should pick up light from water, and it will stop working after several flashings. Then replace lifebuoy light back to clip.

6.4 In the storing period, ensure the lifebuoy light in its correct position all the time..

## **SECTION 8 – LIFE**

The life of AQLBL lifebuoy lights is five years from the date of manufacture. The expiry date of light is shown on the label affixed to the product. On expiry the light should be removed by moving clip carefully and the new light should be fixed again.

## **SECTION 9 -**

Dispose of use  
approved envir

an

## **SECTION 9 – SAFETY**

AQLBL lifebuoy light contains Alkaline batteries. These must be handled correctly:

9.1 Do not dismantle battery pack;

9.2 Do not make any external electrical connection;

9.3 Do not recharge;

9.4 Do not incinerate;