

AQ8A

AQUA SPEC

Lifejacket Light

The AQ8A lifejacket light is an alkaline battery-powered emergency light designed to be installed on any type of lifejacket.

It is automatically activated upon contact with water and features a manual switch.

Features and benefits

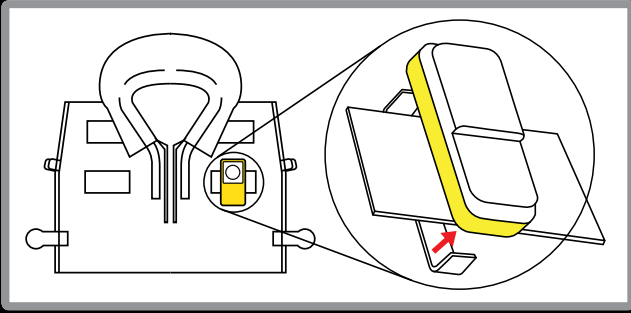
- > Powerful white flashing LED dome light
- > Built-in water sensors
- > Automatic water activation
- > Manual on/off switch
- > Functional and simple design
- > Fixing clip designed for easy attachment
- > Compact design
- > Maintenance free five year battery life
- > Tamper-proof



Technical Specification

Battery	Alkaline Batteries
Light source	LED
Chromaticity	White
Light type	Flashing
Flash Frequency	50 – 70 times/min
Luminous Intensity	≥0.75.cd
Operation Life	≥13h over 0.75cd at -1°C
Storing Temperature	-30°C – +65°C
Working Temperature	-1°C – +30°C
Expiry Date	5 years
Weight	38g (including buckle)
Dimension	Main body: 62.5 x 25.4 x 23.5mm buckle: 61.2 x 9.5 x 11.7mm
Activation	Water-activation automatically on / manual off / manual on
Performance	Fire-resistant, oil-resistant, mould-proof, corrosion-proof, water-proof
Environment Performance	Meets RoHS and asbestos-free requirement
Standards	MSC.81(70) as amended
Certifications	MED, CCS

Fitting



- The light must be secured to the lifejacket in a position that provides maximum visibility when the wearer is in the water, preferably near the shoulder.
- The installation position must ensure that the water sensors on main light body will have contact with water when the wearer is in the water.
- Feed the clip behind lifejacket material or button hole and press into the light unit until it clicks securely into place. When fastened the light cannot be removed unless the clip is broken.

Operation

- The light will automatically activate when the sensors are immersed in water.
- To operate the light manually, press the button on the front of the unit.
- It is possible to turn the light off by pushing the button on the front of the unit, regardless of whether it is still immersed in water.

Maintenance

The light is maintenance free, but the following checks should be made annually:

- Inspect unit for signs of damage or corrosion.
- Test the light by immersing the sensors in water or manually pressing the button on the front of the unit, the light should illuminate. Turn the light off by pushing the button on the front of the unit.
- When in storage, ensure the water sensors are dry at all times.

Disposal

- The unit has a five year life span from the date of manufacture, it should be replaced by the expiry date shown on the label.
- The unit should be disposed in accordance with local regulation through an approved environment disposal agent.

Safety

The light contains a Alkaline battery which must be handled correctly:

- Do not dismantle battery pack
- Do not make any external electrical connection
- Do not recharge
- Do not incinerate
- Store between -30°C and +65°C



 0474/2019 | IMO Res. MSC 81(70)

WWW.AQUASPEC.COM

Distributed by Ocean Safety Ltd

